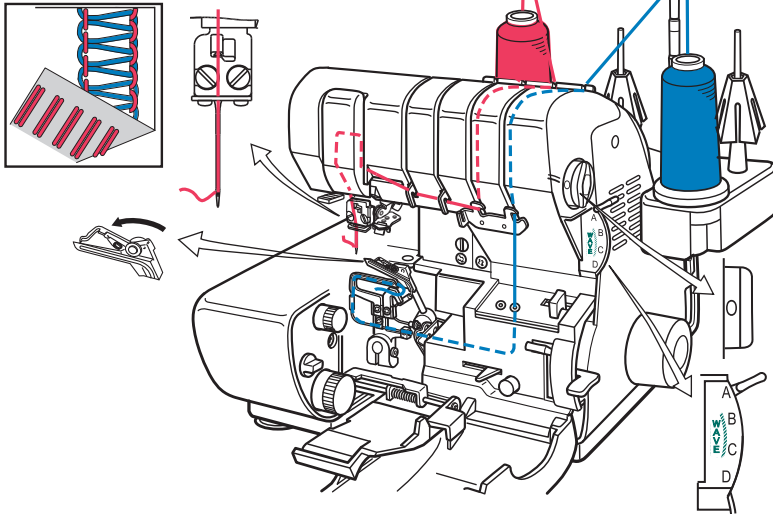


baby lock enlighten™ Quick Reference Threading Guide

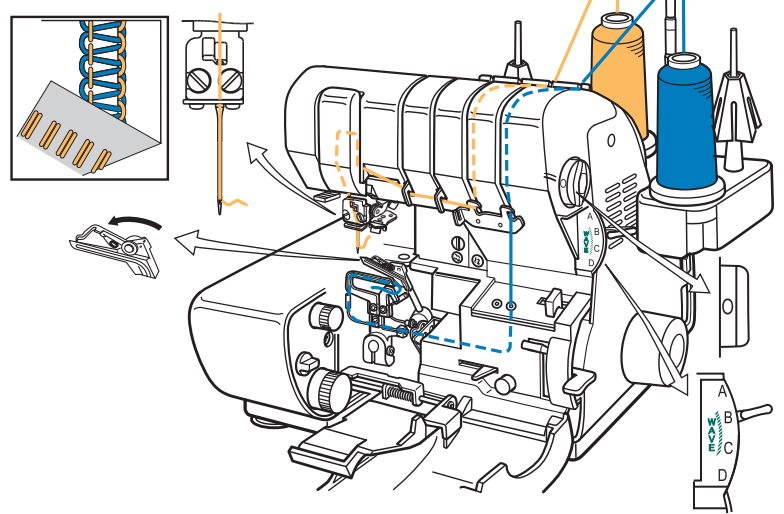
2-Thread Flatlock - Wide

Needles	Length	Width	Stitch Selector	Wave Selector
left	2-2.5	7.5	A	O



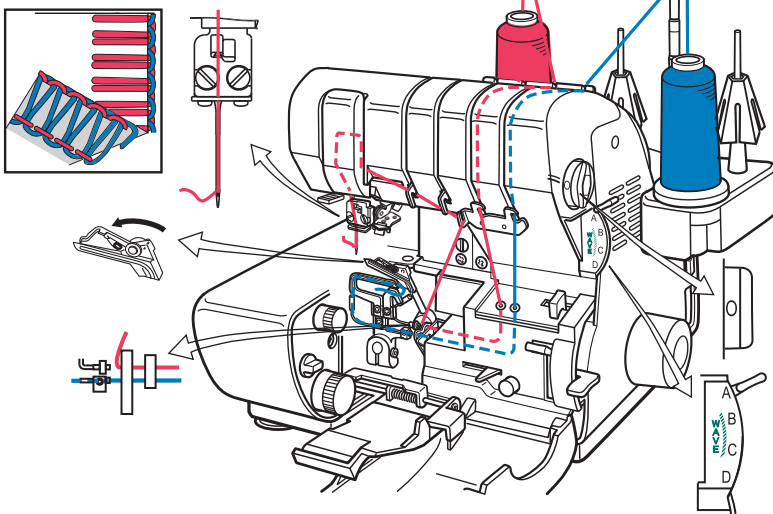
2-Thread Flatlock - Narrow

Needles	Length	Width	Stitch Selector	Wave Selector
right	3-3.5	3.5	B	O



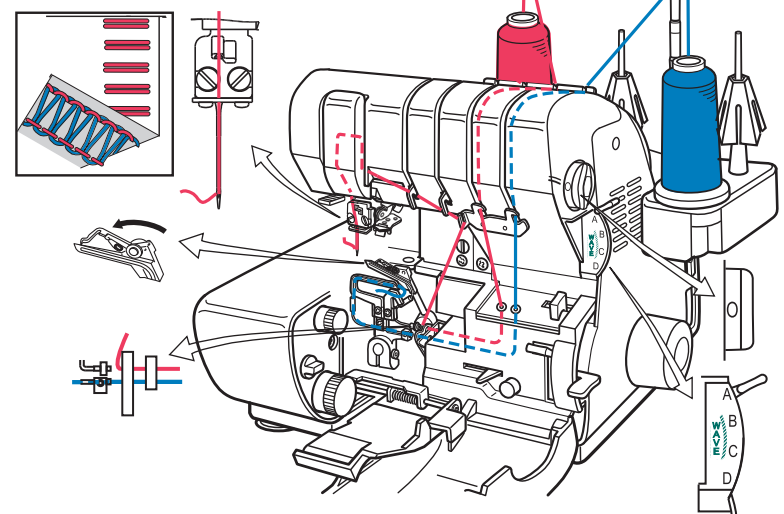
2-Thread Blanket Stitch

Needles	Length	Width	Stitch Selector	Wave Selector
left	4	7.5	A	O



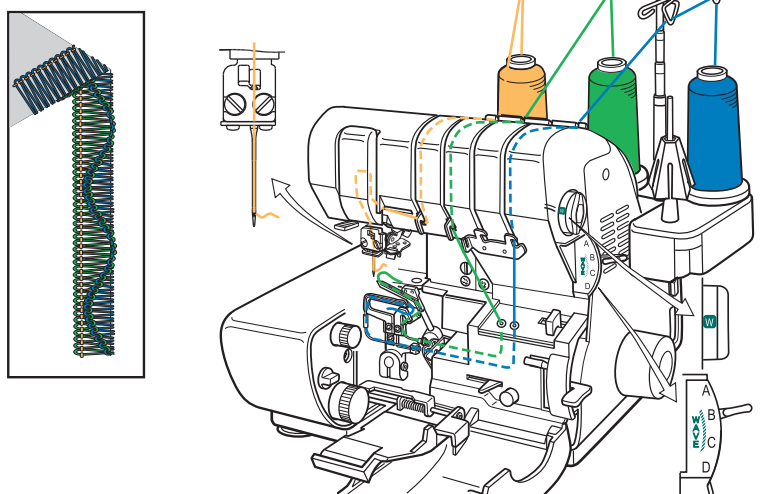
2-Thread Ladder Stitch

Needles	Length	Width	Stitch Selector	Wave Selector
left	2-3	7.5	A	O



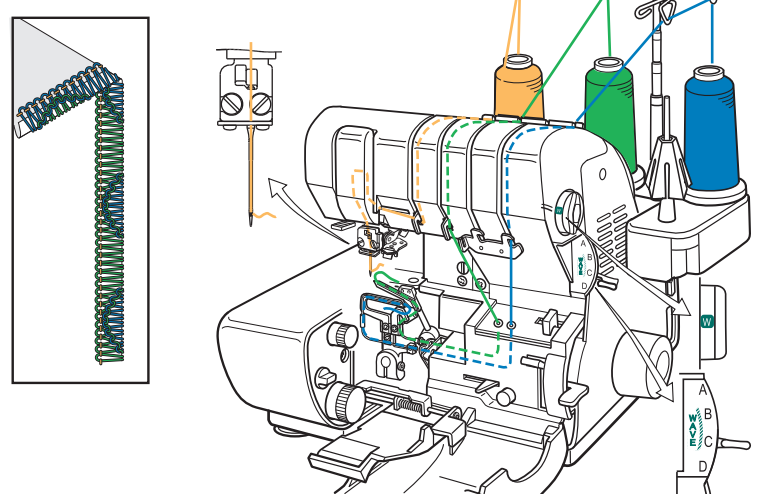
3-Thread Wave Stitch

Needles	Length	Width	Stitch Selector	Wave Selector
right	1.0-2.5	3.0-5.0	B	W



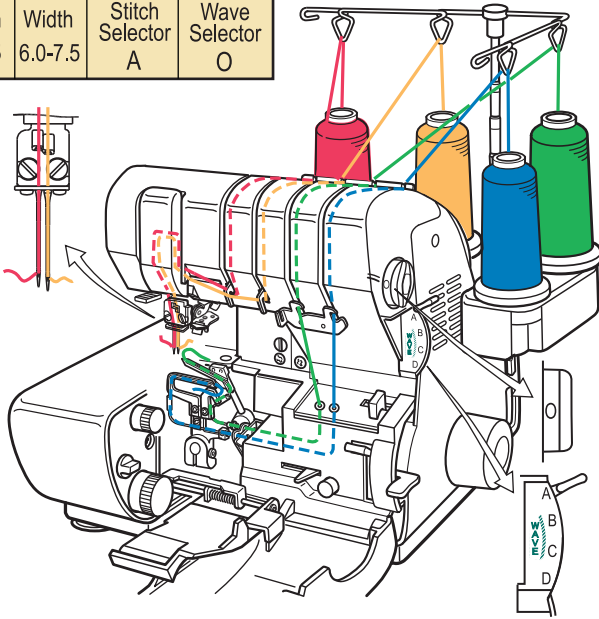
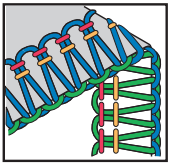
3-Thread Rolled Wave Stitch

Needles	Length	Width	Stitch Selector	Wave Selector
right	1.0-1.5R	3.0-5.0	C	W



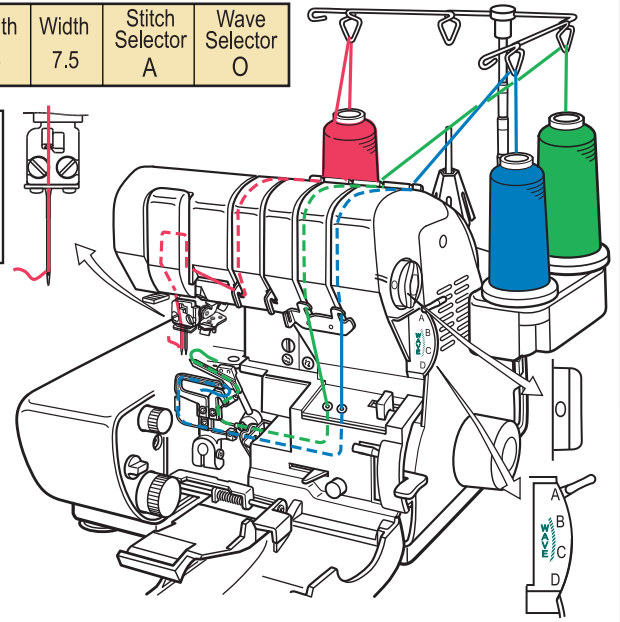
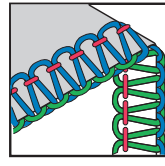
4-Thread Overlock

Needles	Length	Width	Stitch Selector	Wave Selector
left & right	2.5-3.5	6.0-7.5	A	O



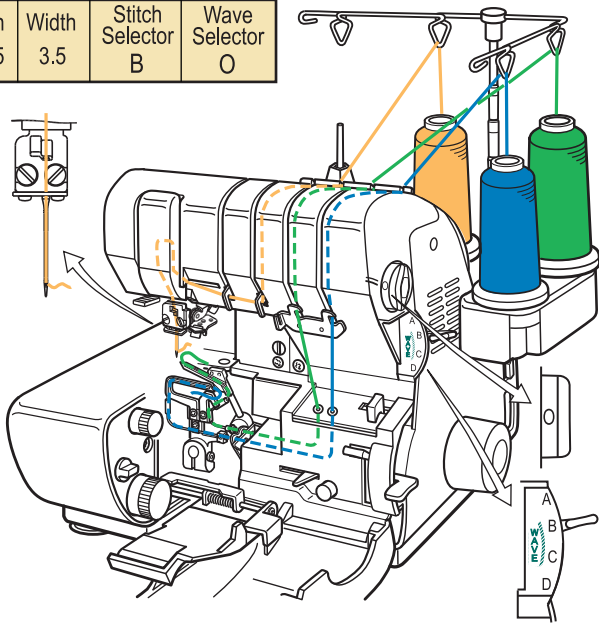
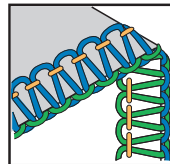
3-Thread Overlock-Wide

Needles	Length	Width	Stitch Selector	Wave Selector
left	2-3	7.5	A	O



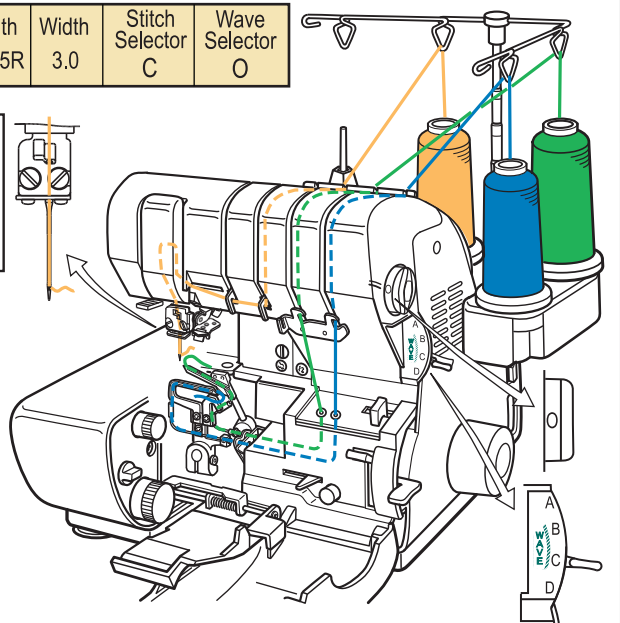
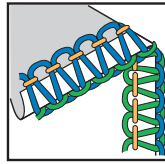
3-Thread Overlock-Narrow

Needles	Length	Width	Stitch Selector	Wave Selector
right	2.5-3.5	3.5	B	O



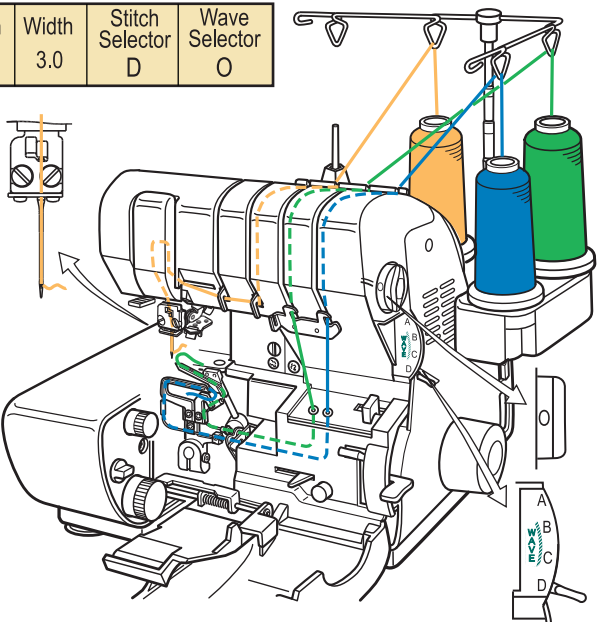
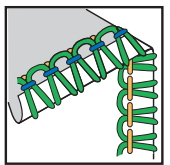
3-Thread Overlock-Narrow Hem

Needles	Length	Width	Stitch Selector	Wave Selector
right	1.0-1.5R	3.0	C	O



3-Thread Rolled Edge

Needles	Length	Width	Stitch Selector	Wave Selector
right	1.5R	3.0	D	O



3-Thread Flatlock Seaming

Needles	Length	Width	Stitch Selector	Wave Selector
right	2-3	3.0-5.0	D	O

