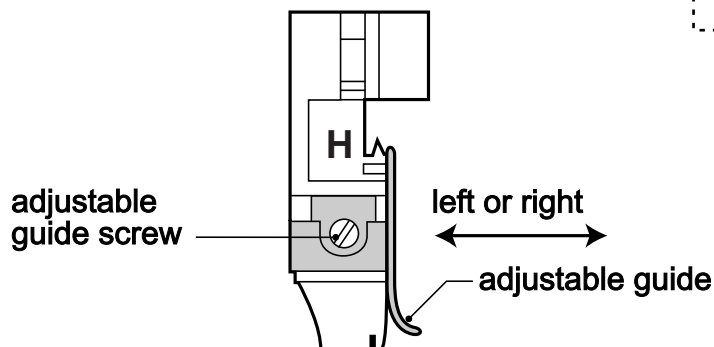
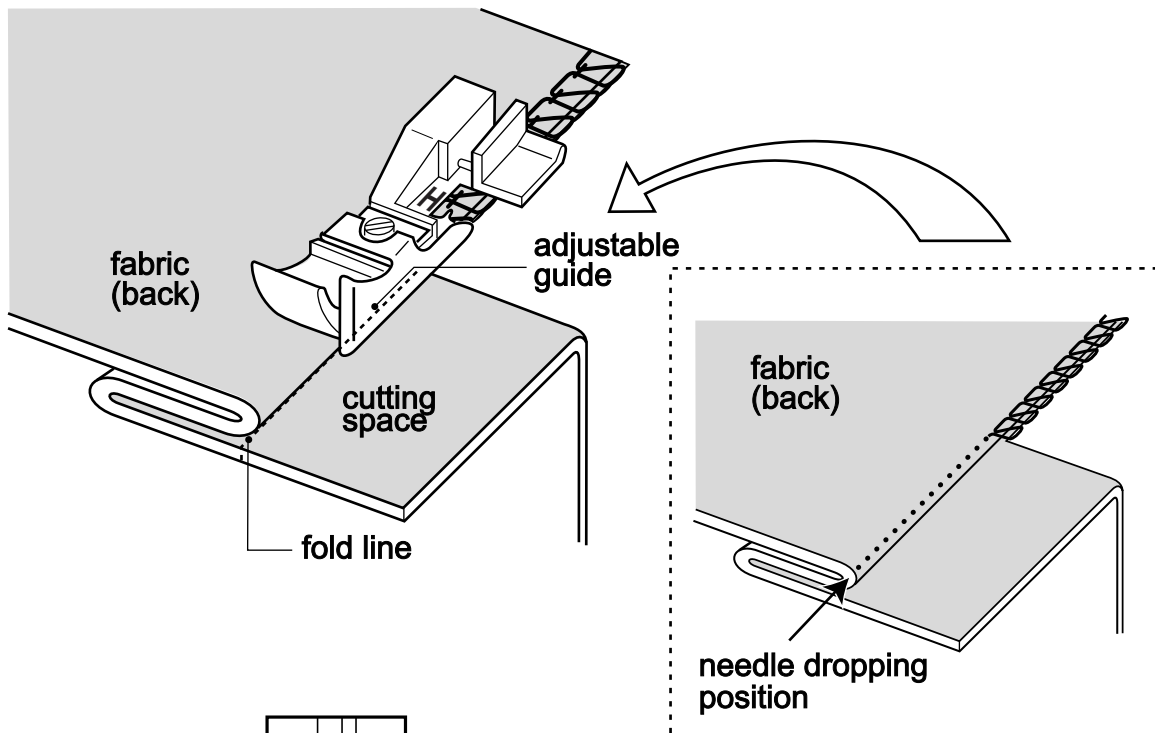


Blindhem Foot

Item No: B5002S06A-E (BLE8-BLHF)

1. For hemming, fold fabric as shown in diagram.
2. Place garment with wrong side up under the presser foot. Before you begin serging, check the needle dropping position. The needle should just catch the fold of the fabric.
3. Once the needle dropping position has been determined, set the adjustable guide on the foot to the fold edge of the fabric. Move the adjustable guide by loosening the screw on top of the foot, adjusting the plate right or left and tighten the screw.

Needle : O2
Upper Knife : Engaged "UNLOCKED"
Stitch Type : 2-Thread Narrow Hem
Stitch Selector : B
Stitch Width : 5.0mm
Stitch Length : 3.5
Differential Feed : N (N-0.6 for finer fabrics)



Loosen the adjustable screw and move the guide right or left.